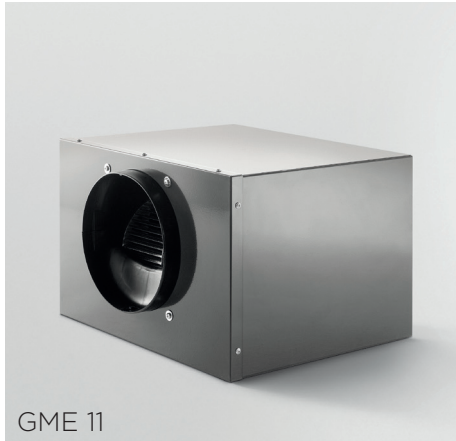


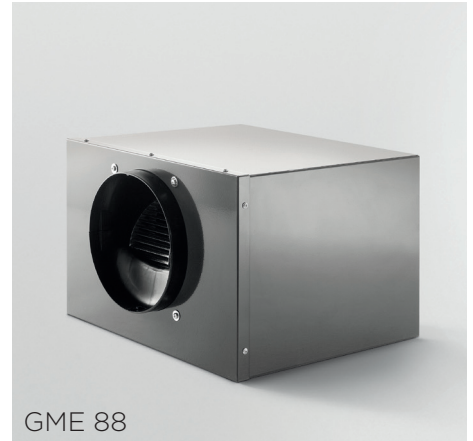
Remote GME Motors Designed for Lane, Pandora or Adagio



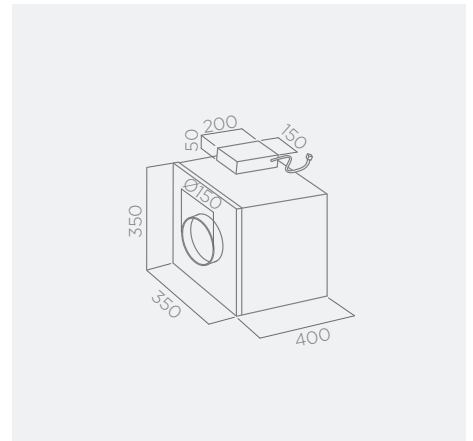
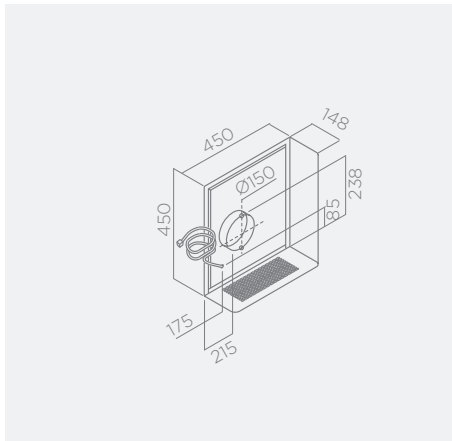
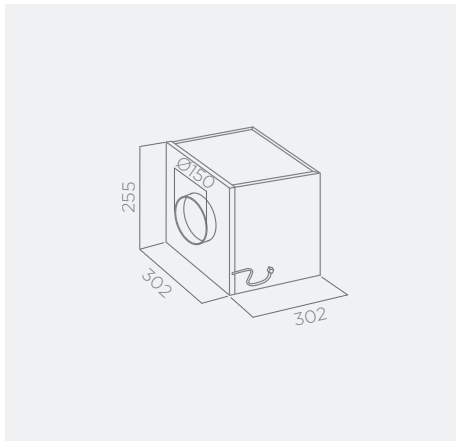
GME 11



GME 22 A



GME 88



Description

The remote GME motors improves extractor performance by 35% while reducing perceived noise levels by 20%. Designed for the Lane or Professional Undermount models and the Pandora or Adagio Downdraft models, these are available for positioning internally (GME 11 & GME 88) or externally (GME 22 A) of your house.

Model Number

Internal positioning:

GME 11 (above, left)

GME 88 (above, right)

External positioning:

GME 22 A (above, centre)

Power Connection

Hard wired

GME 11

1495 m³/hr airflow

Lane & Professional Undermount models

GME 22 A

1420 m³/hr airflow

Adagio & Pandora Downdraft models

Professional Undermount models

GME 88

1495 m³/hr airflow

Adagio & Pandora Downdraft models